

HIGH PRESSURE PLUNGER PUMP

KB Series

Min. Flow rate 35 lpm (9.25 gpm) @ max. Pressure 750 kg/cm² (10667 psi)
Max. Flow rate 145 lpm (38.30 gpm) @ max. Pressure 250 kg/cm² (3555 psi)

Salient Features

- KB Series designed with in – built gear.
- Force feed lubrication also available on request.
- Available in 9 versions with 2 types of head.

Pump Selection Chart



Specification

- Plunger Stroke: 75 mm
- Max. plunger speed: 1.32 m/sec. @ 530 spm
- Plunger force: 31.28 kN (3190 kgf)
- Inlet Pressure min./max.: 2-3 bar
- Oil Type: 80W 90
- Oil capacity: 8 ltr.
- Max. Liquid Temp.: 70 °C (160°F)
- Discharge Connection: Ø G Hole (as per drawing)
- Suction Connection: 2" BSPF

MAX. SPM. IS 530 WITH 1500 LPM MOTOR (GEAR RATIO - 2.75:1)				
MAX. SPM. IS 530 WITH 1800 LPM MOTOR (GEAR RATIO - 3.4:1)				
Model	Flow lpm (gpm)	Max. Rated Pressure-kg/cm ² (psi)		
		60 HP	75 HP	100 HP
KB-20	35 (9.25)	620 (8818)	750 (10667)	-
KB-22	45 (11.89)	500 (7111)	625 (8889)	840 (11947)
KB-24	52 (13.74)	430 (6116)	530 (7538)	720 (10240)
KB-26	62 (16.38)	360 (5120)	450 (6400)	600 (8535)
KB-28	70 (18.49)	310 (4410)	375 (5335)	510 (7255)
KB-30	80 (21.13)	270 (3840)	330 (4695)	450 (6400)
KB-32	90 (23.76)	240 (3415)	300 (4270)	400 (5690)
KB-36	115 (30.38)	190 (2702)	230 (3270)	315 (4480)
KB-40	145 (38.30)	150 (2135)	185 (2630)	250 (3555)

Note: All flows are based on 100% volumetric efficiency. Volumetric efficiency will be ≥ 90%

Type of systems – Complete systems available various type

- Stationary unit with electric motor
- Stationary unit with diesel engine
- Mobile unit with electric motor
- Mobile unit with diesel engine
- Road going trailer with electric motor
- All unit available in 4 side cover or canopy on request

Applications



Hydro Blasting



Tube Cleaning Systems

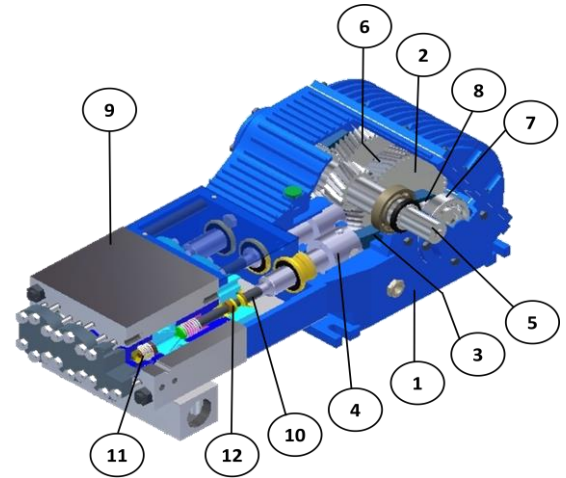
HIGH PRESSURE PLUNGER PUMP

KB Series

Min. Flow rate 35 lpm (9.25 gpm) @ max. Pressure 750 kg/cm² (10667 psi)
Max. Flow rate 145 lpm (38.30 gpm) @ max. Pressure 250 kg/cm² (3555 psi)

Power End

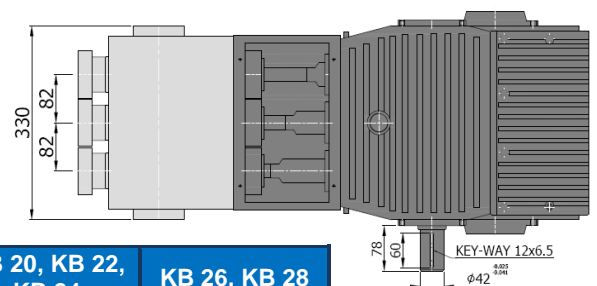
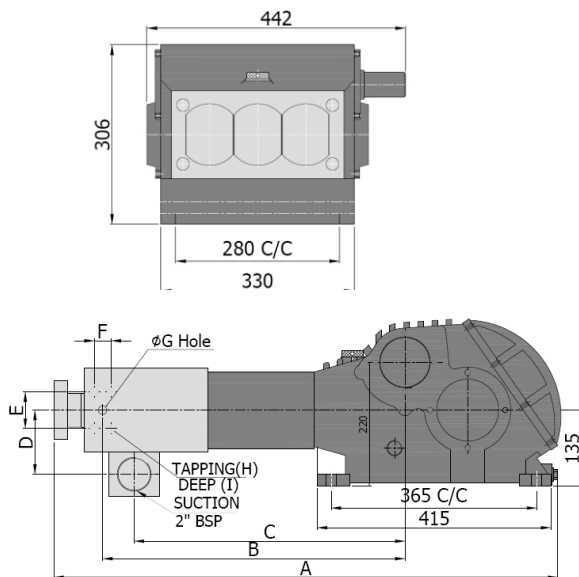
- 1. Main Body (Crank Case)**
Spheroidal Graphite Iron: Main body in spheroidal graphite Iron casting with honned surface finish bore.
- 2. Crankshaft**
Alloy steel: Crankshaft is made of nitride, hardened and precision ground for extremely long life and durability.
- 3. Connecting Rod**
Alloy Steel: Forged steel connecting rods with antifriction bearings. Heavy pin area construction, for added load strength.
- 4. Piston (Cross Head)**
Grey Iron & Stainless Steel: Alloy steel casting piston & stainless steel piston rod are hardened & super finish surface.
- 5. Pinion Shaft**
Alloy steel: Pinion shaft is nitride hardened and precision ground for extremely long life and durability.
- 6. Helical Gear**
Alloy steel: Helical gear is nitride hardened and precision ground for extremely long life and durability.
- 7. Bearing**
Oversized for maximum life and load disbursement. Self-alignment roller bearing enables it to handle 26% more load than other pumps.
- 8. White Metal Bearing**
Antifriction bearings for long life of crankshaft.



Fluid End

- 9. Pump Head**
Stainless Steel: Liquid end is made of high corrosion resistant. Forged stainless steel.
- 10. Plunger (Ceramic / Tungsten coated)**
Primarily composed of ceramic coated or Tungsten coated. Surface roughness is extremely good i.e. <0.2 Ra.
- 11. Complete Valve**
Stainless Steel: Valves made stainless steel for hardened & anti corrosion hard surface coated for long life. High volumetric efficiency valves operate at 95% efficiency plus.
- 12. Plunger Seal**
PTFE Aramide: Aramide fibre yarn packing with PTFE fibre face or carbonaceous aramide yarn packing with GFO fibre face for high compressive & tensile strength ensure effective sealing.

KB Bare Pump- Dimension



DIMENSION	KB 20, KB 22, KB 24	KB 26, KB 28
A	895	802
B	537	397.5
C	481	485
D	114	204
E	65	30
F	30	65
G	Ø 15	Ø 20
H	M - 14	M - 14
I	30	30

All dimensions are in mm
Approx weight of bare pump: 270 Kg

PressureJet Systems Pvt. Ltd.

62/13, Phase-1, GIDC, Vatva, Ahmedabad-382445. Gujarat, India

Phone: +91-79-25830762 / 25835598

Email: sales@pressurejet.com

URL: www.pressurejet.com