

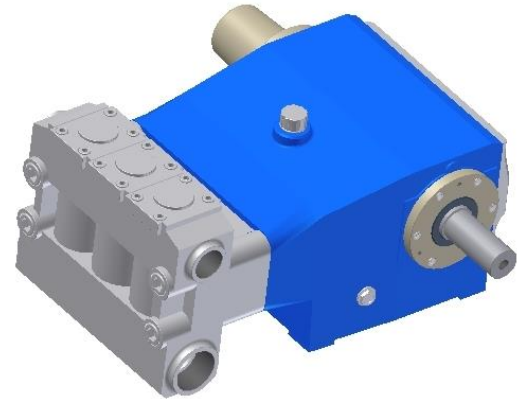
HIGH PRESSURE PLUNGER PUMP

PA Series

Max. Pressure 180 kg/cm² (2560 psi) @ min. Flow rate 51 lpm (13.47 gpm)
Max. Flow rate 139 lpm (36.72 gpm) @ max. Pressure 100 kg/cm² (1425 psi)

Salient Features

- Field proven design. Easy field maintenance.
- Stainless steel fluid end construction CF8 (SS 304) F.
- Rigorously Subjected to full load testing.
- Manufactured on state of the art machinery.
- Heavy duty construction, light in weight.
- Splash lubrication.
- Available direct couple @1000 rpm or pulley – belts drive @1500 rpm.



Performance Chart

| Model | SPM | Flow lpm (gpm) | Max. Rated Pressure-kg/cm ² (psi) | | | |
|-------|-----|----------------|--|------------|------------|-------------|
| | | | 20 HP | 25 HP | 30 HP | 40 HP |
| PA-30 | 950 | 80(21.13) | 80 (1140) | - | 130 (1850) | *180 (2560) |
| | 730 | 61 (16.11) | - | - | 180 (2560) | - |
| | 610 | 51 (13.47) | 130 (1850) | 180 (2560) | - | - |
| PA-32 | 950 | 91 (24.04) | - | 100 (1425) | 125 (1780) | *150 (2135) |
| | 730 | 70 (18.49) | 100 (1425) | 125 (1780) | 150 (2135) | - |
| | 610 | 58 (15.32) | 125 (1780) | 150 (2135) | - | - |
| PA-36 | 950 | 115 (30.38) | - | 80 (1140) | 99 (1410) | *120 (1705) |
| PA-40 | 730 | 110 (29.06) | - | 75 (1065) | 100 (1425) | - |
| PA-45 | 730 | 139 (36.72) | 50 (710) | - | 75 (1065) | *100 (1425) |

Specification

- Plunger Stroke: 40 mm
- Max. plunger speed: 1.26 m/sec. @ 950 spm
- Plunger force: 12.5 kN (1274 kgf)
- Inlet Pressure min./max.: 1 to 3 bar
- Oil Type: 15W 40
- Oil capacity: 4 ltr.
- Max. Liquid Temp.: 70 °C (160°F)
- Discharge Connection: 1" BSPF
- Suction Connection: 1 ½" BSPF

Note: All flows are based on 100% volumetric efficiency. Volumetric efficiency will be ≥ 85%.

We offer various types of systems

- Stationary unit
- Mobile unit
- Road going trailer
- Mobile unit with diesel engine
- Road going trailer with electric motor
- All unit available in 4 side cover or canopy on request

HIGH PRESSURE PLUNGER PUMP

PA Series

Max. Pressure 180 kg/cm² (2560 psi) @ min. Flow rate 51 lpm (13.47 gpm)
Max. Flow rate 139 lpm (36.72 gpm) @ max. Pressure 100 kg/cm² (1425 psi)

Power End

1. Main Body (Crank Case)

Main body in grey iron casting FG-260. With Honned surface finish bore.

2. Crankshaft

Spheroidal Graphite Iron: Crankshaft is made of nitrated, hardened and tempered Spheroidal Graphite Iron casting.

3. Connecting Rod

Alloy Steel: Forged steel connecting rods with antifriction bearings. Heavy pin area construction, for added load strength.

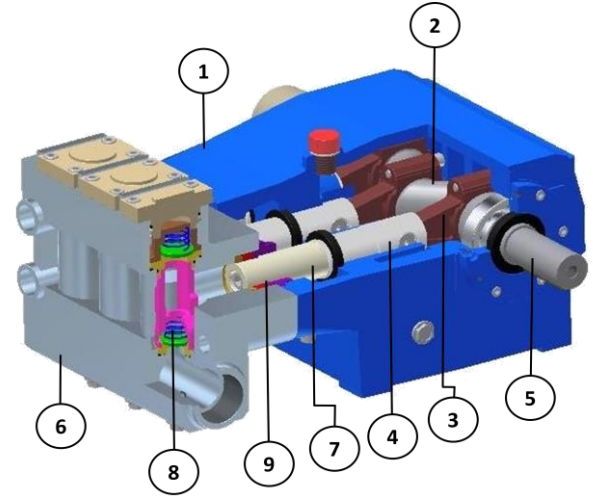
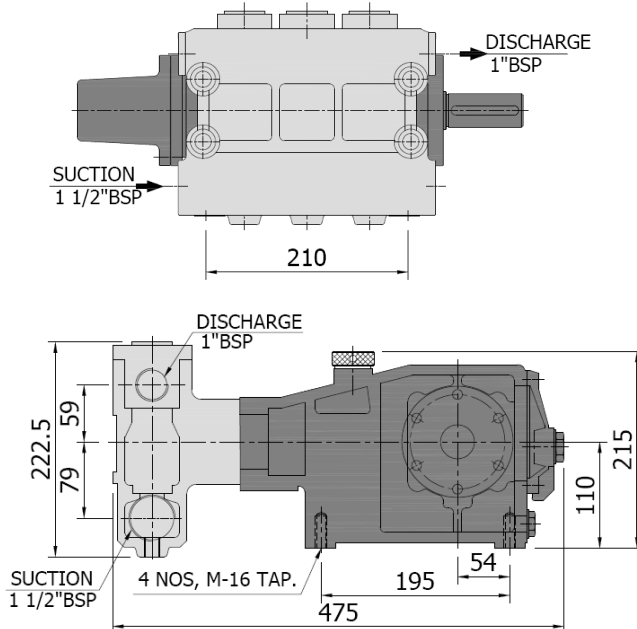
4. Piston (Cross Head)

Alloy Steel: Alloy steel construction for hard surface coating and super finish.

5. Bearing

Oversized for maximum life and load disbursement. Self alignment roller bearing enables it to handle 26% more load than other pumps.

PA Series - Dimension



Fluid End

6. Liquid End (Cylinder)

Stainless Steel: Liquid end is made of high corrosion resistant. And casting CF8 for pump model PA.

7. Plunger (Ceramic / Tungsten coated)

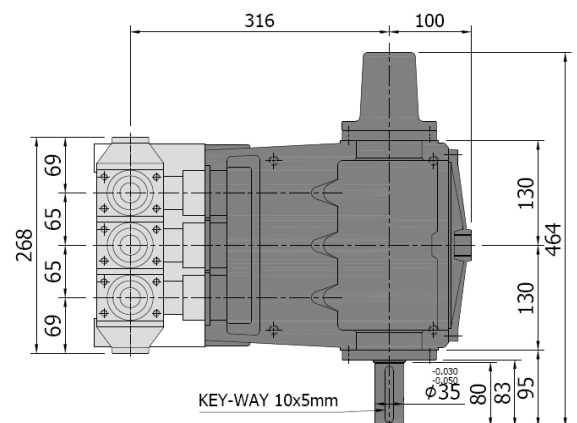
Primarily composed of ceramic coated or Tungsten coated. Surface roughness is extremely good i.e. <0.2 Ra.

8. Complete Valve

Stainless Steel: Valves made stainless steel for hardened & anti corrosion hard surface coated for long life. High volumetric efficiency valves operate at 95% efficiency plus.

9. Plunger Seal

PTFE Aramide rope: "V" style strong and tightens under load or Aramide fiber yarn packing for high compressive & tensile strength ensure effective sealing.



All dimensions are in mm
Approx weight of bare pump: 83 Kg

PressureJet Systems Pvt. Ltd.

62/13, Phase-1, GIDC, Vatva, Ahmedabad-382445. Gujarat, India

Phone: +91-79-25830762 / 25835598

Email: sales@pressurejet.com

URL: www.pressurejet.com