

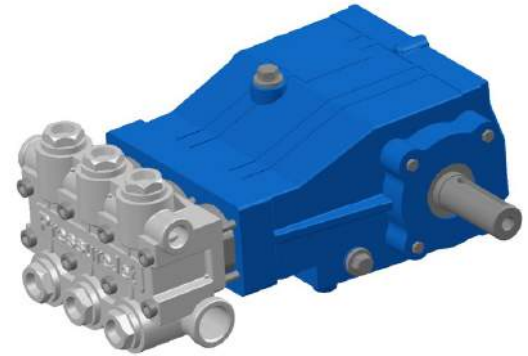
HIGH PRESSURE PLUNGER PUMP

TRA 35 Series

Max. Pressure 190 kg/cm² (2700 psi) @ min. Flow rate 6 lpm (1.5 gpm)
Max. Flow rate 56 lpm (14.7 gpm) @ max. Pressure 85 kg/cm² (1200 psi)

PressureJet has a complete offering for REVERSE OSMOSIS Pump in SS316L, Duplex stainless steel available for unsurpassed corrosion-resistance, strength and long life, even in the harshest environments.

A wide range of Nickel Aluminium Bronze pump is also available and is commonly used in brackish water & sea water applications.



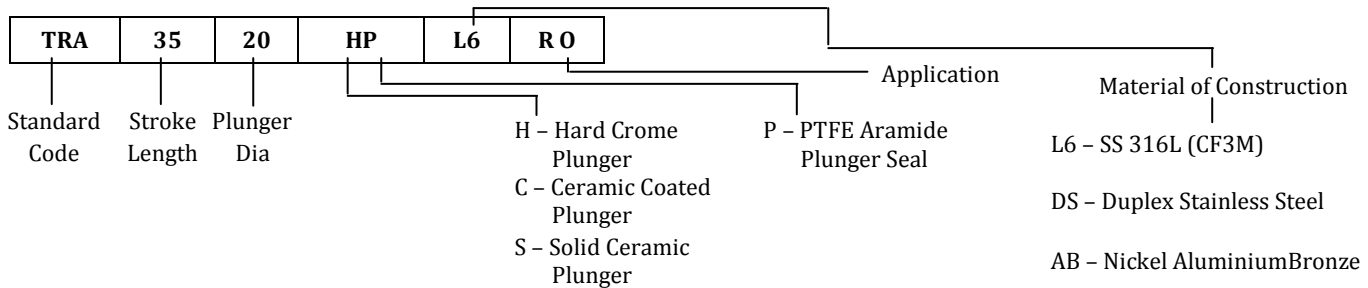
Salient Features

- Field proven design. Easy field maintenance.
- Stainless steel fluid end construction.
- Rigorously Subjected to full load testing.
- Manufactured on state of the art machinery.
- Easy Maintained Suction & discharge valve assembly.
- Splash lubrication.
- Pumps available in SS316L, duplex stainless steel and nickel aluminum bronze.

Specification

- Plunger Stroke: 35 mm
- Max. plunger speed: 0.82 m/sec. @ 700 spm
- Plunger force: 6.71 kN (685 kgf)
- Required Inlet Pressure min./max.: 2 bar (Booster Pump flow require min. 1.5 times of rating flow)
- Oil Type: 15 W 40
- Oil capacity: 3 ltr.
- Max. Liquid Temp.: 70 °C (158 °F)
- Discharge Connection: ½" BSPF
- Suction Connection: 1" BSPF

Model Selection List



Note: (1) All flows are based on 100% volumetric efficiency. Actual volumetric efficiency will be more than 90% approx.
(2) All model available in 1500 RPM / 50 Hz and 1800 RPM / 60 Hz electric motor with belt drive or external gear drive

Performance Chart

Model	SPM	Duty	Flow l/min (gpm)	Max. Rated Pressure-kg/cm ² (hp)			
				psi			
TRA-35-20	700	Intermittent	22 (5.8)	190(12.5) 2700	150 (10) 2150	110(7.5) 1550	75 (5) 1050
	600	Intermittent	18 (4.7)	185 (10) 2650	140 (7.5) 2000	90 (5) 1300	75 (4) 1050
	500	Intermittent	15 (3.9)	165 (7.5) 2350	110 (5) 1550	90 (4) 1300	65 (3) 950
	400	Continuous	12 (3.1)	190 (7.5) 2700	140 (5) 2000	110 (4) 1550	85 (3) 1200
	300	Continuous	9 (2.3)	185 (5) 2650	150 (4) 2150	110 (3) 1550	75 (2) 1050
	200	Continuous	6 (1.5)	190(4) 2700	165 (3) 2350	115 (2) 1650	55(1) 800

HIGH PRESSURE PLUNGER PUMP

TRA 35 Series

Max. Pressure 190 kg/cm² (2700 psi) @ min. Flow rate 6 lpm (1.5 gpm)
 Max. Flow rate 56 lpm (14.7 gpm) @ max. Pressure 85 kg/cm² (1200 psi)

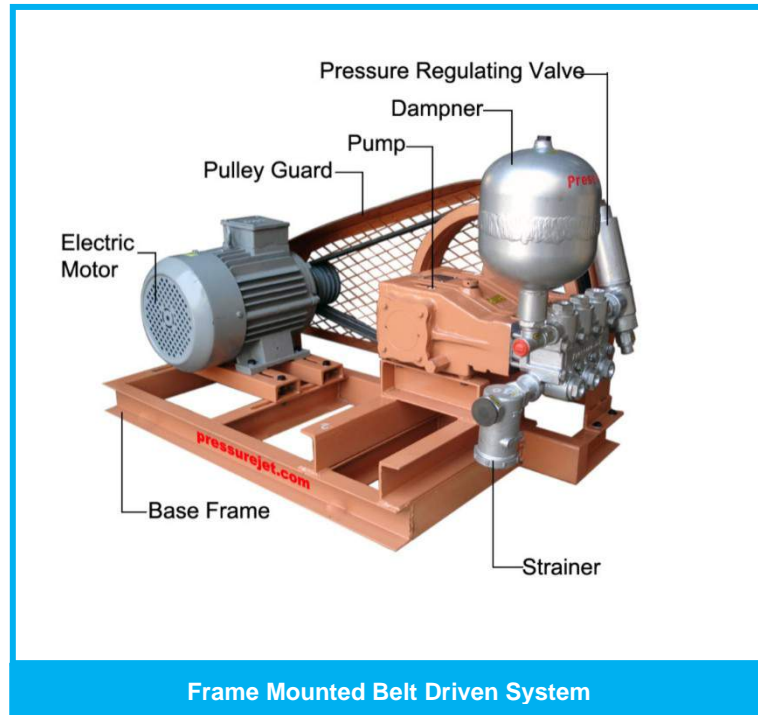
TRA-35-22	700	Intermittent	26(6.8)	185 (15) 2650	160 (12.5) 2300	130 (10) 1850	95 (7.5) 1350
	600	Intermittent	22(5.8)	185 (12.5) 2650	150 (10) 2150	115 (7.5) 1650	75 (5) 1050
	500	Intermittent	19(5)	185 (12.5) 2650	175 (10) 2500	130 (7.5) 1850	85 (5) 1200
	400	Continuous	15(3.9)	185 (10) 2650	165 (7.5) 2350	110 (5) 1550	90 (4) 1300
	300	Continuous	11(2.9)	185 (7.5) 2650	150 (5) 2150	120 (4) 1700	90 (3) 1300
	200	Continuous	7(1.8)	185 (4) 2650	145(3) 2050	95 (2) 1350	45 (1) 650
TRA-35-25	700	Intermittent	34(8.9)	140 (15) 2000	120 (12.5) 1700	100 (10) 1400	75 (7.5) 1050
	600	Intermittent	29(7.6)	140 (12.5) 2000	115 (10) 1650	85 (7.5) 1200	55 (5) 800
	500	Intermittent	24(6.3)	140 (10) 2000	105 (7.5) 1500	70 (5) 1000	55 (4) 800
	400	Continuous	19(5)	140 (10) 2000	130 (7.5) 1850	85 (5) 1200	70 (4) 1000
	300	Continuous	14(3.7)	140 (7.5) 2000	120 (5) 1700	95 (4) 1350	70 (3) 1000
	200	Continuous	9(2.3)	140 (4) 2000	110 (3) 1550	75 (2) 1050	35 (1) 500
TRA-35-28	700	Intermittent	43(11.3)	115 (15) 1650	95 (12.5) 1350	75 (10) 1050	55 (7.5) 800
	600	Intermittent	36(9.5)	115 (12.5) 1650	90 (10) 1300	70 (7.5) 1000	45 (5) 650
	500	Intermittent	30(7.9)	110 (10) 1650	80 (7.5) 1150	55 (5) 800	45 (4) 650
	400	Continuous	24(6.3)	115 (10) 1650	105 (7.5) 1500	70 (5) 1000	55 (4) 800
	300	Continuous	18(4.7)	115 (7.5) 1650	90 (5) 1300	75 (4) 1050	55 (3) 800
	200	Continuous	12(3.1)	115 (4) 1650	85 (3) 1200	55 (2) 800	30 (1) 450
TRA-35-30	700	Intermittent	49(12.9)	100 (15) 1400	85 (12.5) 1200	65 (10) 950	50 (7.5) 700
	600	Intermittent	42(11)	100 (12.5) 1400	80 (10) 1150	60 (7.5) 850	40 (5) 550
	500	Intermittent	35(9.2)	95 (10) 1350	70 (7.5) 1000	45 (5) 650	35 (4) 500
	400	Continuous	28(7.4)	100 (10) 1400	90 (7.5) 1300	60 (5) 850	45 (4) 650
	300	Continuous	21(5.5)	100 (7.5) 1400	80 (5) 1150	65 (4) 950	45 (3) 650
	200	Continuous	14(3.7)	95 (4) 1350	70 (3) 1000	45 (2) 650	25 (1) 350

HIGH PRESSURE PLUNGER PUMP

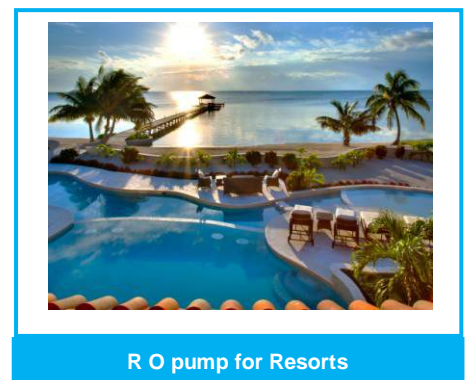
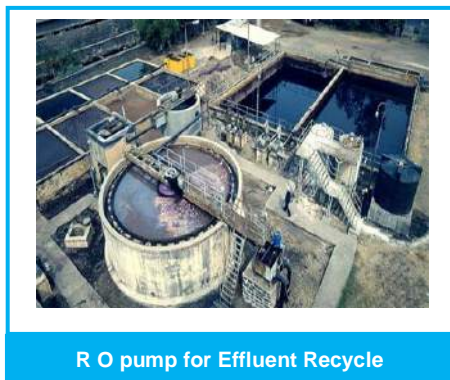
TRA35 Series

Max. Pressure 190 kg/cm² (2700 psi) @ min. Flow rate 6lpm (1.5 gpm)
Max. Flow rate 56lpm (14.7 gpm) @ max. Pressure 85 kg/cm² (1200 psi)

TRA-35-32	700	Intermittent	56(14.7)	85 (15) 1200	75 (12.5) 1050	60 (10) 850	45 (7.5) 650
	600	Intermittent	48(12.6)	85 (12.5) 1200	70 (10) 1000	50 (7.5) 700	35 (5) 500
	500	Intermittent	40(10.5)	85 (10) 1200	60 (7.5) 850	40 (5) 550	30 (4) 450
	400	Continuous	32(8.4)	85 (10) 1200	75 (7.5) 1050	50 (5) 700	40 (4) 550
	300	Continuous	24(6.3)	85 (7.5) 1200	70 (5) 1000	55 (4) 800	40 (3) 550
	200	Continuous	16(4.2)	85 (4) 1200	60 (3) 850	40 (2) 550	20 (1) 300



Applications



HIGH PRESSURE PLUNGER PUMP

TRA35 Series

Max. Pressure 190 kg/cm² (2700 psi) @ min. Flow rate 6 lpm (1.5 gpm)
Max. Flow rate 56 lpm (14.7 gpm) @ max. Pressure 85 kg/cm² (1200 psi)

Power End

1. Crank Case

Grey Iron: Crank Case in grey iron casting FG-260. With Honned surface finish bore.

2. Crankshaft

Spheroidal Graphite Iron: Crankshaft is made of Spheroidal Graphite Iron casting.

3. Connecting Rod

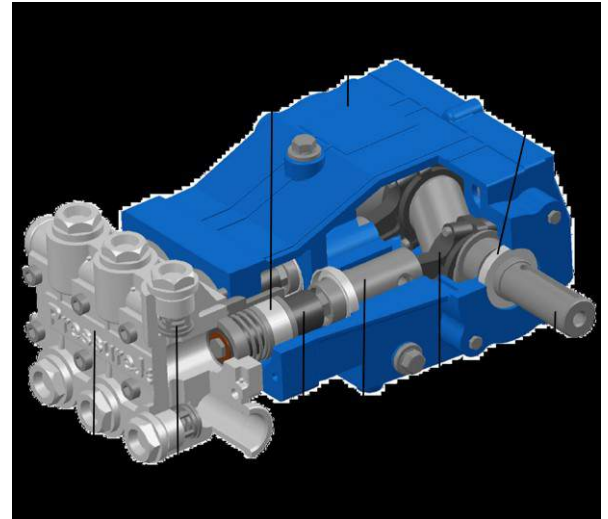
Alloy Steel: Forged steel connecting rods with antifriction bearings. Heavy pin area construction, for added load strength.

4. Cross Head

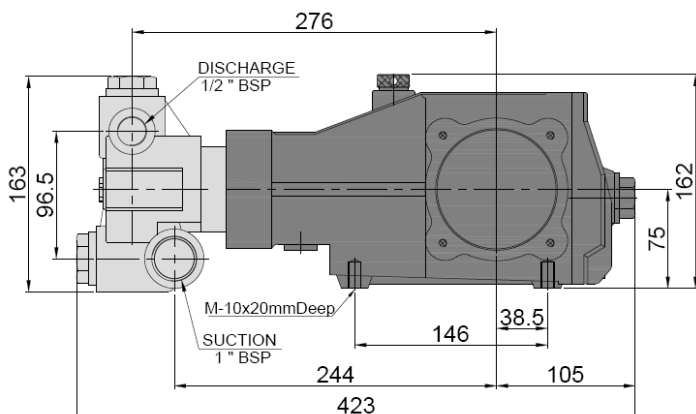
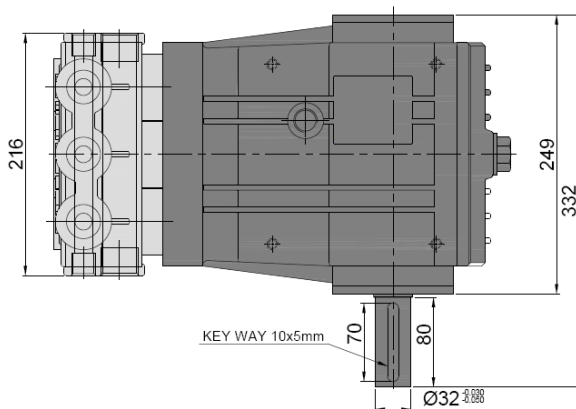
Alloy Steel: Alloy steel construction for hard surface coating and super finish.

5. Bearing SKF or equivalent

Oversized for maximum life and load disbursement. Taper roller bearing enables it to handle 26% more load than other pumps.



Dimension



Fluid End

6. Pump Head

Stainless Steel: Liquid end is made of high corrosion resistant SS 316L / duplex stainless steel / nickel aluminum bronze.

7. Plunger Solid Ceramic

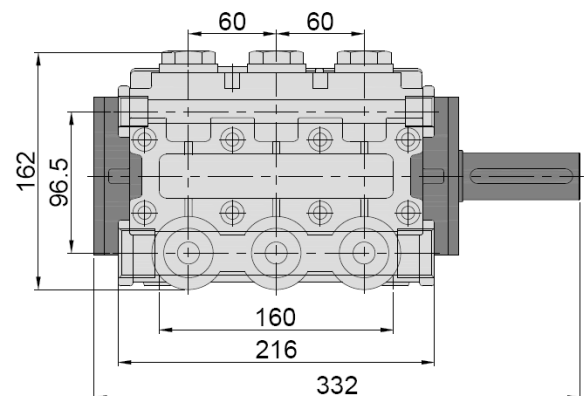
Primarily composed of solid ceramic and surface roughness is extremely good i.e. <0.2 Ra.

8. Complete Valve

Stainless Steel: Valves made of stainless steel hardened & anti corrosion hard surface coated for long life. High volumetric efficiency valves operate at more than 95% efficiency.

9. Plunger Seal

PTFE Aramide rope: Aramide fiber yarn packing for high compressive & tensile strength ensure effective sealing.



Approx weight of bare pump: 45 Kg